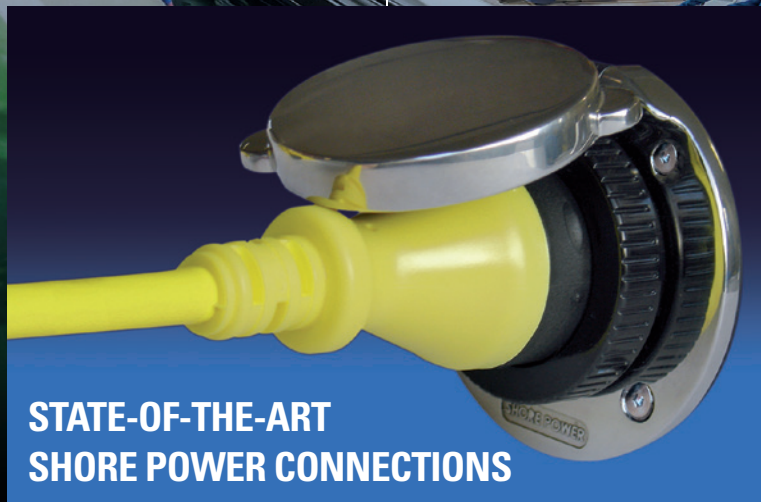


Ahead in Shore Power

Ratio
ELECTRIC



**STATE-OF-THE-ART
SHORE POWER CONNECTIONS**

Ratio
ELECTRIC

Ratio Electric develops, produces and sells electrical power connection and distribution systems. Our company is based in Holland and active throughout Europe. During half a century we gathered a huge amount of experience that is used to meet the latest demands in our markets. Doing so we built up a tradition in innovation with state of the art, reliable and affordable products. These products are delivered to OEM's or distributed by specialized wholesale companies, covering the following areas:

Marine

Our Shore Power connection system is the marine standard all over Europe. The MP16/32/50 boat inlets and cables are stylish and safe. Every marine product is designed to be user-friendly and still able to withstand the rigors of life at sea.

E-Mobility

Ratio Electric provides high quality AC connection and charging systems for electric and plug-in hybrid electric vehicles. All these products, such as charge stations, cables and components comply with the latest European standards.

Industry and Office

We are an industry leading supplier of power cords, cord sets, power strips, power plugs, power connectors and other components. On request we also develop custom made power connections with required approvals.

ICT

We are well acquainted with Data centers. Ratio Electric modular solutions for power distribution and power management in 19" racks can be found all over Europe. Our complete range of Power Distribution Units (PDU's) and power cords will normally suit your needs. When required we also produce custom made specific versions in small quantities.



Ratio
ELECTRIC

In this catalogue you will find the best products to connect your boat with the power supply from the land. Every product we make is designed to be functional, practical and able to withstand the harsh marine environment. Boatyards and yachtmen all over Europe prefer state-of-the-art shore power products from Ratio Electric.



Ratio Electric develops innovative shorepower connections and power solutions for every type of boat.

Ranging from robust cables to stainless steel inlets. We also carry a vast range of stylish, functional and safe accessories.

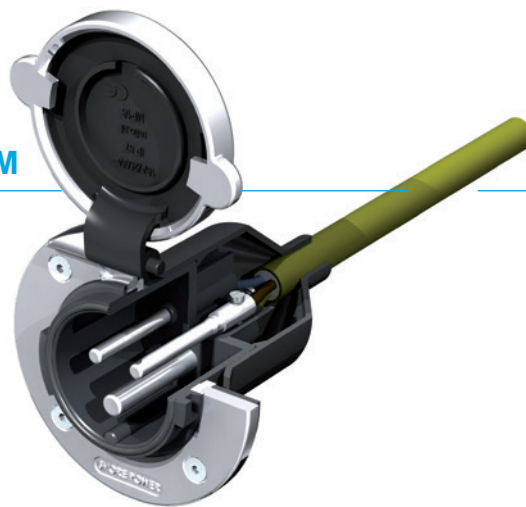
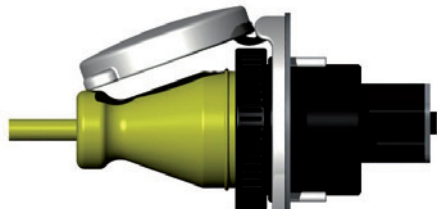


MP Shore Power system

Ratio
ELECTRIC

A waterproof, stylish and approved shore power connection system for your boat.

MP SERIES WATERPROOF CONNECTION SYSTEM



Ratio Electric has designed the MP 16 (16A/250V), MP32 (32A/250V) and MP50 (50A/250V) system to offer a waterproof, stylish and approved shore power connection system for your boat.

The system is based on the world standard for outdoor connections (the IEC 60309) and features a boat inlet and a mating connector (moulded or assembled).

STAINLESS STEEL INLET



The MP16, MP32 and MP50 inlets are made from solid cast marine grade 316 stainless steel and include an easy locking waterproof cap.

The requirements for installation of electrical systems on craft of hull length up to 24m are specified in the ISO13297 standard. MP16, MP32 and MP50 inlet will not accept standard CEE couplers.

CABLE CONNECTORS



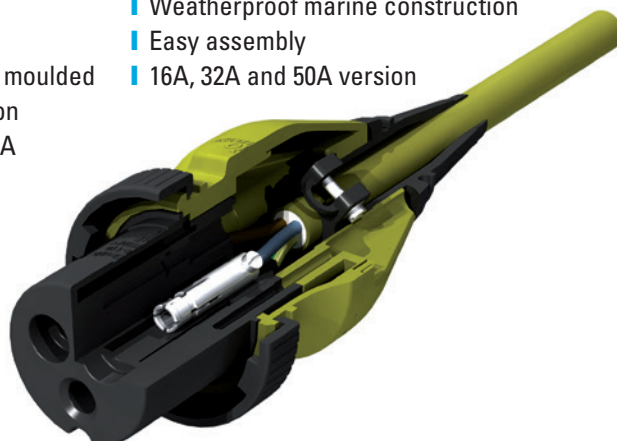
The MP16 and MP32 cable connectors are available in a moulded watertight version as well as an assembly (rewireable) type. The MP50 cable connector is only available in an assembly version. All types include a weatherproof sealing cap to ensure CE compliance.

Moulded connector

- LED power indication
- Watertight moulded construction
- 16A and 32A version

Assembly connector

- Weatherproof marine construction
- Easy assembly
- 16A, 32A and 50A version



Ratio
ELECTRIC



16A/250V STAINLESS STEEL INLET

- Part no. MP16-10
- Marking: CE
- Waterproof: IP56
- Solid cast 316 stainless steel



16A/250V POLYAMID INLET

- Part no. MP16-10-K
- Marking: CE
- Waterproof: IP56
- Glass filled PA6



16A/250V CHROMED INLET

- Part no. MP16-10-KX
- Marking: CE
- Waterproof: IP56
- ABS chrome plated

MP16 CORD SETS



- Marking: CE
- Waterproof: IP44
- PUR cable (H07BQ-F)
- Watertight moulded plug and connector
- LED power indication

| P/N | MP16 Cord Sets | Length | Max. rating |
|------|--|--------|-------------|
| 2801 | MP16 Cord Set with H07BQ-F 3G 1,50mm ² (PUR) Yellow cable | 15m | 10A |
| 2802 | MP16 Cord Set with H07BQ-F 3G 1,50mm ² (PUR) Yellow cable | 25m | 10A |
| 2823 | MP16 Cord Set with H07BQ-F 3G 2,50mm ² (PUR) Yellow cable | 5m | 16A |
| 2821 | MP16 Cord Set with H07BQ-F 3G 2,50mm ² (PUR) Yellow cable | 15m | 16A |
| 2822 | MP16 Cord Set with H07BQ-F 3G 2,50mm ² (PUR) Yellow cable | 25m | 16A |



16A/250V CONNECTOR

- Part no. MP16-110
- Marking: CE
- Waterproof: IP44
- Recommended Cable: H07BQ-F 3G 1,50mm² and 3G 2,50mm²

Ratio
ELECTRIC



32A/250V STAINLESS STEEL INLET

- | Part no. MP32-10
- | Marking: CE
- | Waterproof: IP56
- | Solid cast 316 stainless steel



MP 32 CORD SET

- | Marking: CE
- | Waterproof: IP44
- | PUR Cable (H07BQ-F)
- | Watertight moulded plug and connector
- | LED power indication

| P/N | MP32 Cord Sets | Length | Max. rating |
|------|--|--------|-------------|
| 2836 | MP32 Cord Set with H07BQ-F 3G 4,00mm ² (PUR) Yellow cable | 15 m | 25A |
| 2832 | MP32 Cord Set with H07BQ-F 3G 4,00mm ² (PUR) Yellow cable | 25m | 25A |
| 2837 | MP32 Cord Set with H07BQ-F 3G 6,00mm ² (PUR) Yellow cable | 15 m | 32A |
| 2838 | MP32 Cord Set with H07BQ-F 3G 6,00mm ² (PUR) Yellow cable | 25m | 32A |



32A/250V CONNECTOR (SIDE VIEW)

- | Part no. MP32-110
- | Marking: CE
- | Waterproof: IP44
- | Recommended cable
H07BQ-F 3G 4,00mm²
and H07BQ-F 3G 6,00mm²



32A/250V CONNECTOR (FRONT VIEW)

Ratio
ELECTRIC



50A/250V STAINLESS STEEL INLET

- Part no. MP50-10
- Marking: CE
- Waterproof: IP56
- Solid cast 316 stainless steel



MP 50 CORD SET (ASSEMBLY TYPE)

- Marking: CE
- Watertight assembled plug and connector
- PUR Cable (H07BQ-F)
- MP50-110 Connector and 63A blue CEE plug

| P/N | MP50 Cord Sets | Length | Max. rating |
|------|---|--------|-------------|
| 2851 | MP50 Cord Set with H07BQ-F 3G 10,00mm ² (PUR) Yellow cable | 15 m | 50A |
| 2852 | MP50 Cord Set with H07BQ-F 3G 10,00mm ² (PUR) Yellow cable | 25m | 50A |



50A/250V CONNECTOR (SIDE VIEW)

- Part no. MP50-110
- Marking: CE
- Waterproof: IP44
- Recommended cable H07BQ-F 3G 10mm² (max. 25m)



50A/250V CONNECTOR (FRONT VIEW)

MARINCO COMPATIBLE CORD SETS 16A/250V



- Moulded 3-pin CEE plug
- Moulded Marisco compatible plug
- Threaded locking ring
- Weatherproof protection cap
- LED power indication
- Marking: CE



Nema L5-30

Marisco MCP16 Cord Set

| P/N | Marisco Compatible Cord Sets | Length | Max. rating |
|------|---|--------|-------------|
| 2811 | MCP16 Cord Set with H07BQ-F 3G 2,50mm ² (PUR) Yellow cable | 15 m | 16A |
| 2812 | MCP16 Cord Set with H07BQ-F 3G 2,50mm ² (PUR) Yellow cable | 25m | 16A |

CEE EXTENSION CORD SETS 16A/250V



- Moulded 3-pin (male) CEE plug
- Moulded 3-pin (female) CEE connector with weatherproof protection cap and LED power indication
- Marking: CE

| P/N | CEE Extension Cord Sets | Length | Max. rating |
|------|---|--------|-------------|
| 2834 | CEE16 Cord Set with H07BQ-F 3G 2,50mm ² (PUR) Yellow cable | 15 m | 16A |
| 2835 | CEE16 Cord Set with H07BQ-F 3G 2,50mm ² (PUR) Yellow cable | 25m | 16A |

Ratio
ELECTRIC

Complete Shore Power System for small boats.
10A/250 Vac.



MP16 SHORE POWER KIT

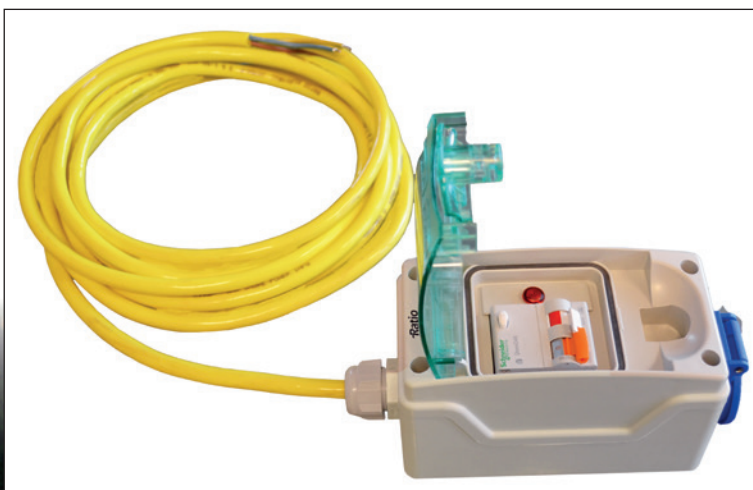


MP16 Shore Power Kit includes:

- MP16 Inlet. Stainless Steel, Polyamid or Chromed version.
- MP16 Cordset, 10A/250V, length 10m (p/n 2803)
- Electrical Cabinet Single

| P/N | Description |
|-------------|--------------------------------|
| MP16-Kit | MP16 Kit Stainless Steel Inlet |
| MP16-K-Kit | MP16 Kit Polyamid Inlet |
| MP16-KX-Kit | MP16 Kit Chromed Inlet |

ELECTRICAL CABINET



- Circuitbreaker 16A
- Earth leakage protection 30mA
- LED Power indication
- Schuko outlet
- IP65 Housing

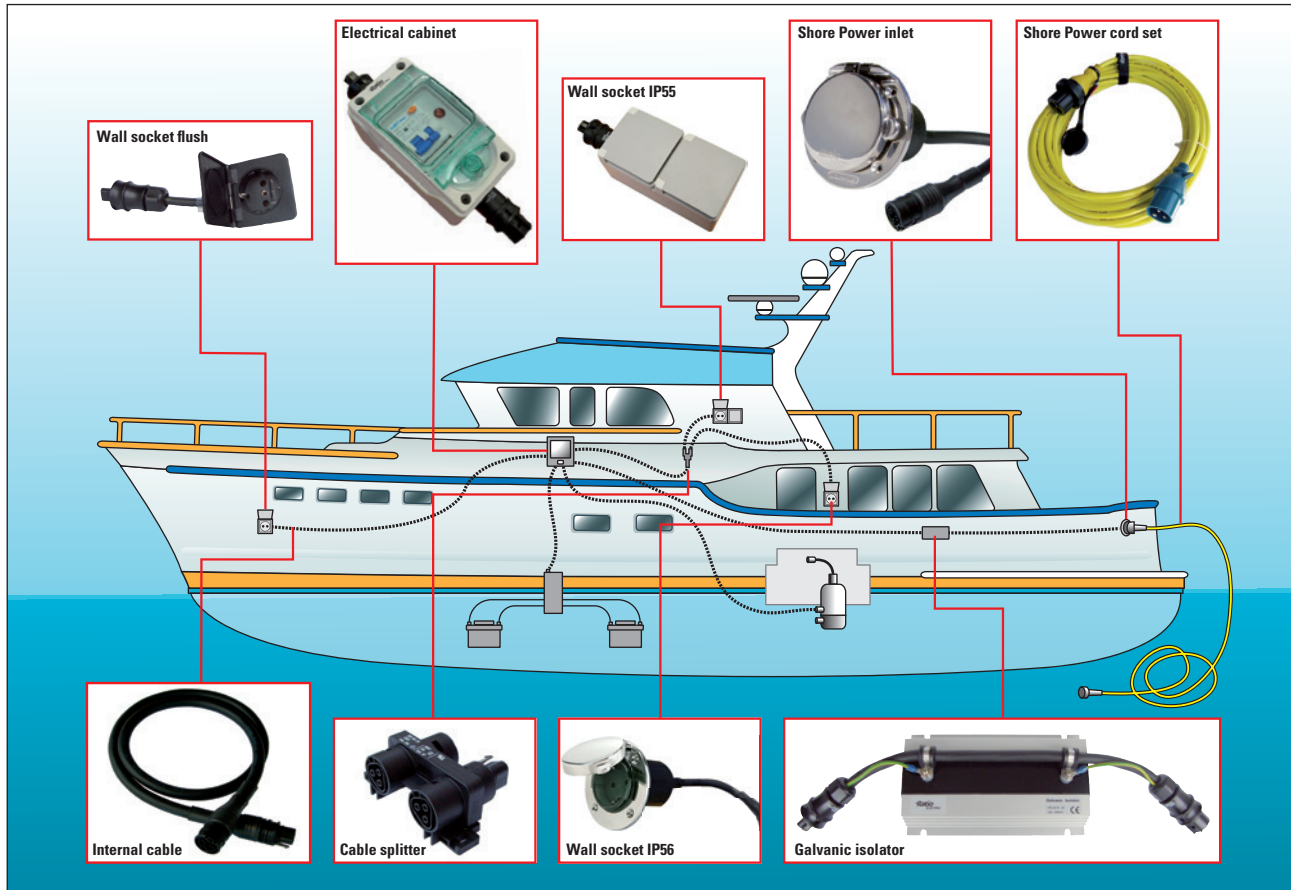
| P/N | Description |
|-------|---|
| 70051 | Electrical Cabinet Single (1x Schuko outlet) |
| 70052 | Electrical Cabinet Dual (2x Schuko outlet) |



Ratio
ELECTRIC

The Ratio Electric AC16 Power System provides a complete plug & play shore power and battery charger system for boats. The system is flexible and easy to extend or modify. All components use snap-in connections for easy installation.

AC16 MODULAR PLUG & PLAY 230 VAC CABLING SYSTEM



AC16 POWER SYSTEM COMPONENTS



| P/N | Inlet with Cord | Max. rating |
|-------------|-----------------------|-------------|
| AC 16-01 | Stainless Steel Inlet | 16A |
| AC 16-01-K | Polyamid Inlet | 16A |
| AC 16-01-KX | Chrome plated Inlet | 16A |



| P/N | Electrical Cabinet | Max. rating |
|----------|--------------------------|-----------------|
| AC 16-03 | Electrical Cabinet BASIC | 1xRCBO 30mA/16A |
| AC 16-13 | Electrical Cabinet PRO | 3xRCBO 30mA/16A |

Ratio
ELECTRIC



INTERNAL CABLE

| P/N | Internal Cable | Length | Max. rating |
|-----------|---|--------|-------------|
| AC16-02-1 | Internal Cable H07RN-F 3G 2,50mm ² | 1 m | 20A |
| AC16-02-2 | Internal Cable H07RN-F 3G 2,50mm ² | 2 m | 20A |
| AC16-02-3 | Internal Cable H07RN-F 3G 2,50mm ² | 3 m | 20A |
| AC16-02-4 | Internal Cable H07RN-F 3G 2,50mm ² | 4 m | 20A |
| AC16-02-5 | Internal Cable H07RN-F 3G 2,50mm ² | 5 m | 20A |

WALL SOCKET IP55

| P/N | Wall Socket IP55 | Max. rating |
|-----------|------------------------|-------------|
| AC16-07-1 | Wall Socket 1-way IP55 | 16A |
| AC16-07-2 | Wall Socket 2-way IP55 | 16A |

WALL SOCKET FLUSH

| P/N | Wall Socket Flush | Max. rating |
|---------|-------------------------------|-------------|
| AC16-17 | Wall Socket 1-way FLUSH white | 16A |
| AC16-18 | Wall Socket 1-way FLUSH black | 16A |
| AC16-19 | Wall Socket 1-way FLUSH brown | 16A |

WALL SOCKET IP56

| P/N | Wall Socket IP56 | Max. rating |
|---------|------------------|-------------|
| AC16-23 | Wall Socket IP56 | 16A |

GALVANIC ISOLATOR

| P/N | Galvanic Isolator | Max. rating |
|---------|-------------------|-------------|
| AC16-20 | Galvanic Isolator | 16A |

SPLITTER

| P/N | Splitter | Max. rating |
|---------|--------------|-------------|
| AC16-06 | Splitter 1:3 | 16A |

The AC Power System is also available as the AC16 Basic Kit (p/n AC16 BASIC). Including:

| P/N | Description |
|-----------|---------------------------------|
| 2801 | Shore Power Cord Set 15m |
| AC16-01 | Stainless Steel Inlet with cord |
| AC16-03 | Electrical Cabinet |
| AC16-02-1 | Internal Cable 1m |
| AC16-02-2 | Internal Cable 2m |
| AC16-07-2 | Wall Socket 2-way IP55 |

Ratio
ELECTRIC

Schuko outlet socket for exterior applications.

SOCKET IP56

Part no.: MP16-230
Material: solid cast 316 stainless steel
Waterproof: IP56
Marking: CE
Rating: 16A/230V

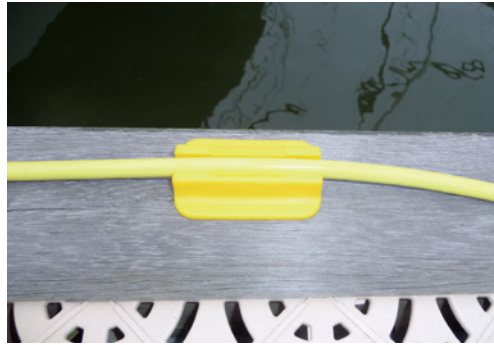
The Schuko socket is a high quality in-wall outlet designed for outdoor use. The high-gloss polished stainless steel cap and flange garanty a long lasting stylish look. When the bayonet cap is closed the outlet is protected against water ingress (IP56)



Ratio
ELECTRIC

Loose power cords on the dock and on the deck can create dangerous situations. The Shore Power Cord Clips from Ratio Electric helps you to increase safety on and around your boat.

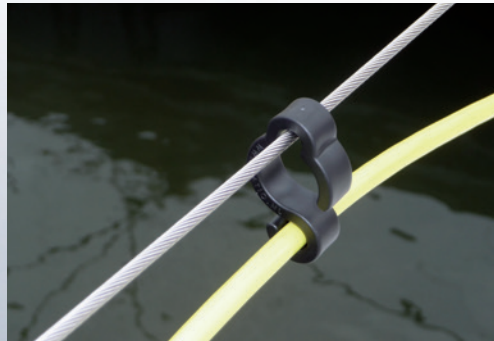
SHORE POWER CORD DOCK CLIP



For cable H07BQ-F 3G 1,50 mm² p/n 70040
For cable H07BQ-F 3G 2,50 mm² p/n 70041

- Use on the edge of the dock or deck
- Keeps Powercords organised and out of the water
- Packaged as a set of 6 clips with stainless steel mounting screws
- Easy to install

SHORE POWER CORD RAIL CLIP



p/n 70038

- Keeps your Power cord from the deck
- Easy clip on tube or wire rails
- Packaged as set of 6 clips
- For 16A cords



Ratio
ELECTRIC

Ratio Electric uses PUR (H07BQ-F) cable for all its cord sets.
The same cable can also be supplied on 50m rings.
PUR cable offers the best available features for boat owners.

SHORE POWER CABLE 50M RING



- Good resistance to oil and other chemicals
- Extremely robust and noted for its good tear and abrasion resistance
- Suitable for outdoor use and resistant to UV radiation, ozon and oxygen
- Approval: KEMA
- Marking: H07BQ-F

| P/N | Description | Max. rating |
|-------|--|-------------|
| 70030 | Shore Power H07BQ-F 3G 1,50mm ² (PUR) Yellow cable | 10A |
| 70031 | Shore Power H07BQ-F 3G 2,50mm ² (PUR) Yellow cable | 16A |
| 70032 | Shore Power H07BQ-F 3G 4,00mm ² (PUR) Yellow cable | 25A |
| 70033 | Shore Power H07BQ-F 3G 6,00mm ² (PUR) Yellow cable | 32A |
| 70034 | Shore Power H07BQ-F 3G 10,00mm ² (PUR) Yellow cable | 40A |



Powerful Performance.
Powerful Products.

Ratio
ELECTRIC

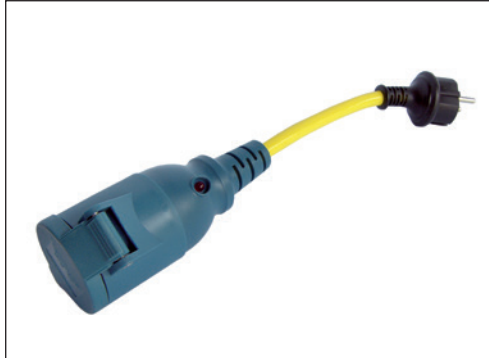
AMBACHTSSTRAAT 12, 3861 RH NIJKERK, THE NETHERLANDS | T +31 33 245 23 60 | E INFO@RATIO.NL | WWW.RATIO.NL

ORGANISER BAG



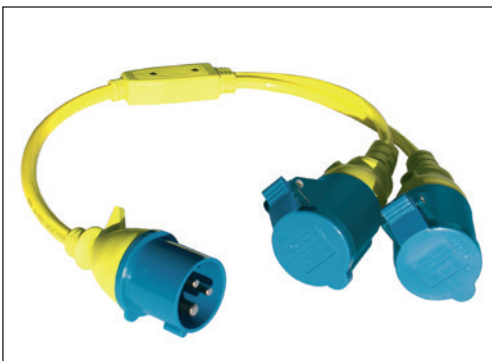
Part no. 70021

ADAPTER CORD SET 16A/250V



Part no. 70022
Length 0,30m

SPLITTER CORD SET CEE 16A/250V



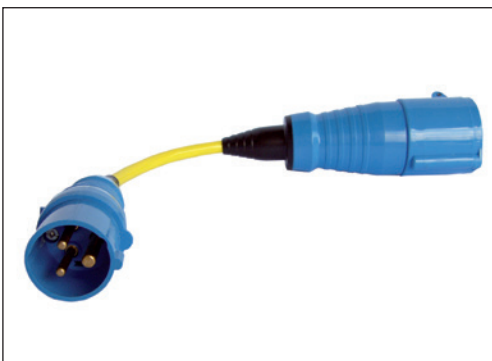
Part no. 70024
Length 0,50m

ADAPTER CORD SET 16A/250V



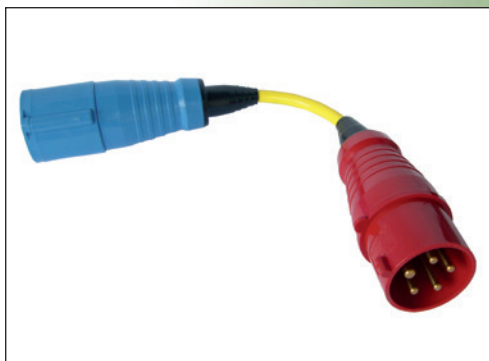
Part no. 70026
Length 0,30m

ADAPTER CORD SET 16A TO 32A/250V



Part no. 70035
Length 0,50m

ADAPTER CORD SET 32A 3-PHASE TO SINGLE PHASE



Part no. 70036
Length 0,50m



Ahead in Shore Power

Ratio
ELECTRIC

While Shore power solutions are still developing, we would welcome your comments and ideas on any adaptations to our existing products as well as your useful suggestions for possible new products. Please send your comments to: info@ratio.nl

Much obliged,

Hans Snaak
Managing Director
Ratio Electric

Contact
Phone:
+31 33 245 23 60

E-mail:
info@ratio.nl
www.ratio.nl

Postal Address:
Ratio Electric BV
Ambachtsstraat 12
3861 RH Nijkerk
The Netherlands

